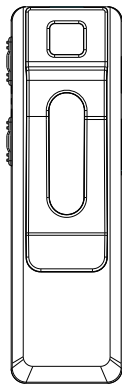


数码视频记录仪

使用说明

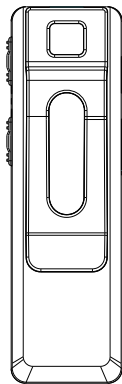


请仔细阅读本说明以正确安全的使用本产品.

请注意保管本说明, 以便日后参考.

Mini digital camcorder

USER MANUAL



Please read this manual carefully before operation .

Well keeping this manual for future use



注意及警告事项

声明事项:

- 1、首先对您使用本公司的数码产品表示感谢!
- 2、在使用之前请先阅读此手册，正确使用此产品。
- 3、为了更好的服务，本使用手册的内容可能变更。
- 4、因为产品的性能和功能而发生的变更，将不做另行通知。

注意事项:

- 1、请勿试图打开、修复或改装本产品。
- 2、请勿在禁止使用电子产品的区域（如飞机上等）使用本产品。
- 3、请勿将产品或其配件放入口中。
- 4、请勿将产品放入水或其他液体中。

警告事项:

- 1、请勿摔落产品本身或其配件，以免导致故障。
- 2、请勿让产品暴露强光或热源下，以延长产品的本身寿命。
- 3、长时间不使用本产品，请将电池充满（内置锂电池）。
- 4、请勿用力拔除连接的配件(如：耳机、USB连线等)。
- 5、请注意本公司对使用本产品所造成的损失或苛刻的赔偿无任何责任!
- 6、本公司对使用本产品或维修时所发生的资料损失不负任何责任，因此若在产品内，存有重要资料，请自行备份!
- 7、严禁将本产品用于非法用途。例如：窃录他人隐私等!



Attention&Caution

Notifications:

- 1, Thank you for using the company's digital products!
- 2, Please read this manual before use.
- 3, The contents of this manual may change.
- 4, The product design and specification are subject to change, without notice .

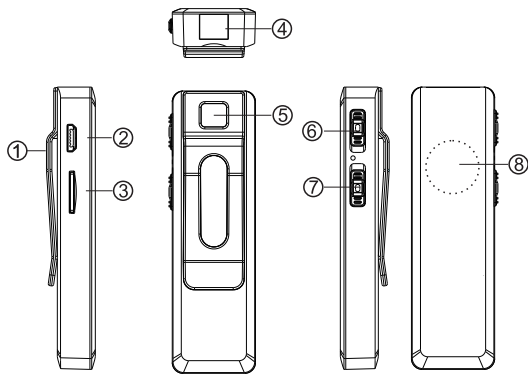
Precautions:

- 1, Do not attempt to open, repair or modify the product.
- 2, Do not use electronic products in the region (such as aircraft, etc.) to use this product.
- 3, do not put the product or its accessories into the mouth.
- 4, do not put the product into water or other liquids.

Warnings:

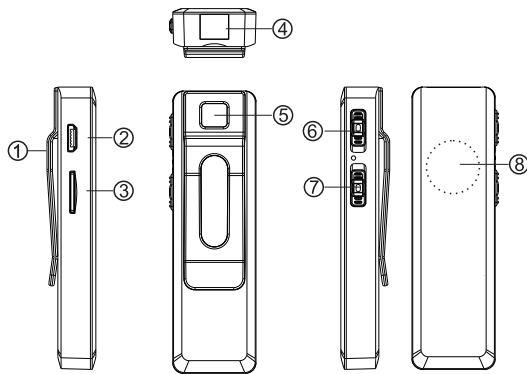
- 1, do not drop the product itself or its accessories, so as not to cause failure.
- 2, do not let the product exposed to light or heat, to extend the life of the product
- 3, please fully charge the battery (built-in lithium battery) before a long time no use this product.
- 4, please be careful and tenderly when connect or disconnect the earphone and USB cable.
- 5, we are not responsible for any loss and compensation while using this product.
- 6, we are not responsible for data and recordings damages during using or repairing ,Please back up important data in time.
- 7, do not use for illegal purposes. For example: stealing other people's privacy!

外观功能示意图



- ① 可拆卸背夹
- ② Micro USB插孔
- ③ TF卡插孔
- ④ 内置摄像头 (选配)
- ⑤ 内置摄像头 (选配)
- ⑥ 模式转换开关
- ⑦ 启动/停止开关
- ⑧ 内置磁铁

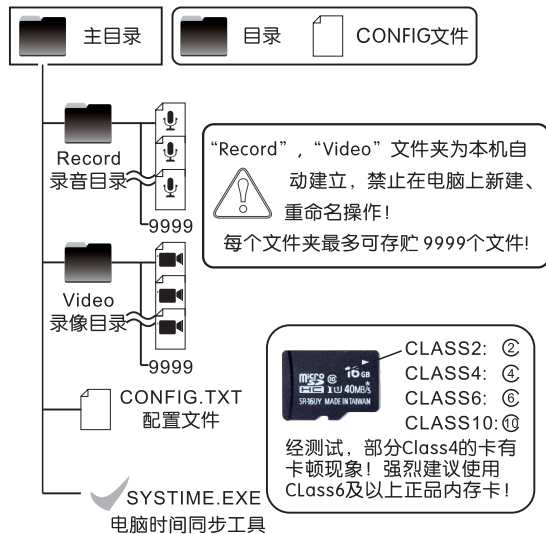
Appearance & Key function



- ① Removable back clip
- ② Micro USB socket
- ③ Micro SD card socket
- ④ Built-in camera (Selection)
- ⑤ Built-in camera (Selection)
- ⑥ Mode Switch
- ⑦ Start / stop switch
- ⑧ Build in Magnetic iron

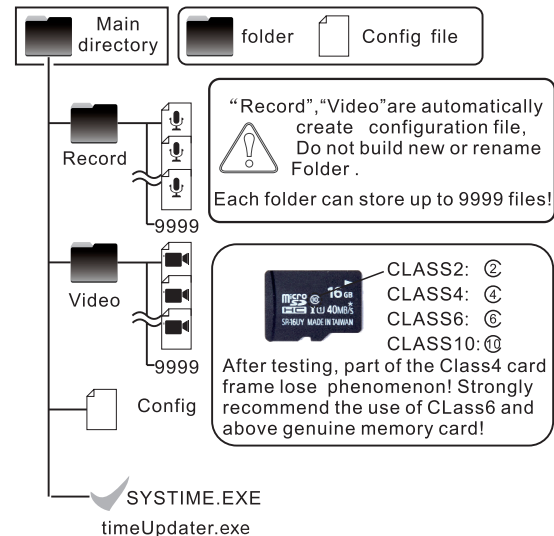
❖ 文件结构

文件结构：



❖ Files and folder

Files and folder:



❖ 基础操作

电源供电：

本机采用内置锂电池，强烈建议使用带有(CCC)认证标志的，输出电压5V 电流500-1000MA的充电器，进行充电。充电时本机可正常摄录，使用“充电宝”或充电器，可延长工作时间。

*****充电时蓝灯点亮，充满时熄灭！*****

*****连接电脑时请确认本机在关机状态。*****

如因充电器造成的产品损坏与意外，本公司不负任何责任。

模式转换：

模式转换：向上推动模式转换开关，选择录像模式
或向下推动模式转换开关选择录音模式。



警告：工作状态下，快速转换工作模式可能导致本机出现工作异常！

启动/停止：

启动：向上推动“启动/停止”开关，根据选择的工作模式，开始录像或者录音。

停止：向下推动“启动/停止”开关，将在保存文件后自动关机。



警告：本机启动/停止大约需要15秒左右的时间，请勿频繁启动/停止本机，否则可能造成本机工作异常！

❖ Operation

Power supply:

Use a charger with an output voltage of 500 to 1000 mA at 5V to charge the battery. During Charging, the machine can do normal video/voice recording.

Use "POWER BANK" or charger to extend working time.

Blue LED lighten up when charging, turns off when fully charged

Mode switch:

Mode switch: Push up the mode switch to select the recording mode or push the mode switch down to select the recording mode.

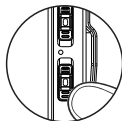


Caution : When recorder is working , do not fast switch the work mode , it may cause the machine to work abnormally!

Start / Stop:

Start: Push the "Start / Stop" switch upwards, Working mode, start video or voice recording

Stop: Push the "Start / Stop" switch down to save the file and automatic shutdown after saving.



Caution: Recorder starting and stopping need 15 seconds or so, do not frequently START and STOP this unit, otherwise may cause the machine to work abnormally!

PC摄像头:

本机连接电脑后，可作为电脑的摄像头使用。

系统配置:

用“记事本”打开CONFIG.TXT文件，如下图：（出厂默认值）

```

CONFIG -记事本
文件(E) 编辑(E) 格式(O) 查看(V) 帮助(H)

2017-12-01,23:59:59 ;系统时间，只能修改数字，否则系统时间会出错！
SYS_RTC=0 ;1:更新系统时间 0:不更新系统时间
DV_CRC=0 ;0:不循环 1:循环录像
DV_SIZE=1 ;0:1080P 1:720P 2:480P
PC_CAM=1 ;0:USB 1:USB+PC摄像头
180_ON=0 ;0:正常 1:摄像头旋转180度
LED_ON=0 ;0:指示灯关 1:指示灯开
BAT_VAL=80% ;剩余电量
    
```

修改方法:

修改“=”后面的数字保存，断开电脑连接后，将自动更新您的修改。

*****除“=”后面的数字外，请不要修改其他字符*****

*****指示灯关闭：本机启动时候亮5秒后关闭*****

*****CONFIG.txt删除后本机会自动重建*****

指示灯:

录像：红灯每秒闪烁一次

录音：红灯0.5秒闪烁一次

低电检测：保存文件后关机

卡满：红灯0.25秒闪烁一次，5S后关机

充电：充电蓝灯长亮，充满蓝灯灭

PC camera:

This unit can be used as a PC camera when connected to a computer.

Device set:

Open the CONFIG.txt file, the contents are as follows (factory defaults)

```

CONFIG -Notepad
File Edit Format View Help

2018-03-01,23:59:59 ;System time ,follow previous format with
no space, otherwise the time will be error!
SYS_RTC=0 ;1: Update system time 0: Not update system time
DV_CRC=0 ;0: No loop 1: Loop recording
DV_SIZE=1 ;0:1080P 1:720P 2:480P
PC_CAM=1 ;0:USB 1:USB+PC Cam
180_ON=0 ;0:Normal 1: The camera rotates 180 degrees
LED_ON=0 ;0:Indicator off 1: Indicator on
BAT_VAL=80% ;Remaining battery";
    
```

How to Modify:

Modify the figures behind "=" and save, disconnect the computer, the modification is completed

****Do not modify other characters except the figures after "=" ****

****CONFIG.txt : This file will be automatically rebuild after deletion****

Indicator:

Video/voice Recording: The red LED flashes once per second
 Low voltage detection: red LED flash once 0.15 seconds,
 shutdown after 3 seconds .

Card full: red LED flash once 0.5S and shutdown after
 3 seconds

系统复位 规格参数

系统复位:

- 1: 连接电脑时没有正常弹出
- 2: 工作时频繁切换工作模式
- 3: 频繁启动/停止本机

等非正规操作, 皆可造成本机工作异常, 请先关闭电源开关, 拔下TF卡, 重新插入后, 本机即可复位。

规格参数:

录像格式	480P/720P/1080P30帧/秒 AVI格式
录音格式	比特率:128Kbps WAV格式
最大文件数	9999个
麦克风	内置全指向电容式麦克风
电池	400MA/H A级锂电池
电池续航	录音约为7小时 录像约4小时
通信标准	高速USB2.0
信噪比	>90dB
频响	20Hz-20KHz
重量	50g
体积	78*23*10mm
主配件	USB线 说明书 保修卡 合格证

备注: 摄录文件每20分钟自动保存一次

Reset Specification

Reset:

- 1: When the machine is not properly ejected from PC
- 2: When frequently switch the work mode
- 3: When frequently start and stop of the machine

When machine works abnormal, you need to reset the machine, please turn off the power and eject the card, re-insert the card, the machine can be reset.

Specification:

Video Format	480P/720P/1080P 30F/S AVI
Audio Format	Bit rate 128Kbps WAV
Max Record file	9999
Microphone	Built-in condenser microphone
Battery	400MA/H A class battery
Battery life	Voice:about7 hours, video:about 4 hours
USB port	High-speed USB 2.0
S/N ratio	>90dB
Frequency response	20Hz-20KHz
Weight	50g
Size	78*23*10mm
Accessories	USB cable, manual

Remarks: The recording file is automatically saved every 20 minutes